

# TRANSFORMERS FOR DIGITAL AUDIO DATA TRANSMISSION

## FEATURES

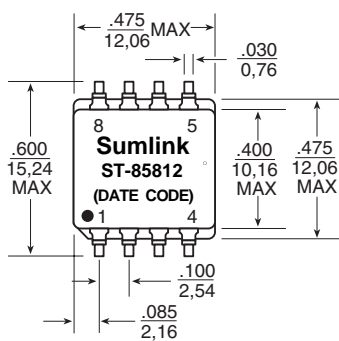
- For Use with Cirrus Logic's CS8401, CS8402, CS8403 & CS8404 ICs
- Operating transmission rates: 1 to 7 Mbps
- Controlled rise time: 25 nsec MAX
- High isolation voltage: 2 kV MIN



Electrical Specifications @ 25°C — Operating Temperature 0°C to 70°C

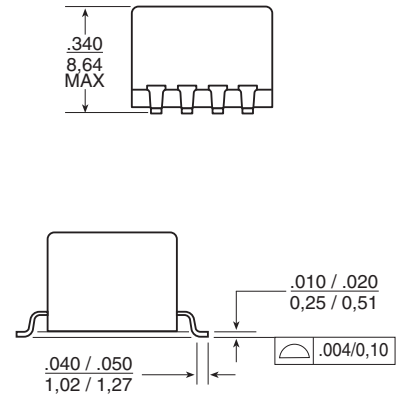
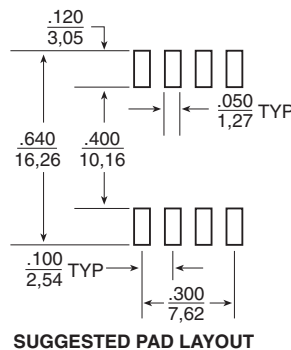
Part Number	Turns Ratio	Primary Inductance (mH ±20%)	L <sub>p</sub> (μH) MAX	Rise Time (nsec) MAX	ET (V-μsec) MAX	Isolation (Vrms) MIN	Bandwidth (100 KHz- 55 MHz) TYP	Return Loss (100 KHz- 10 MHz) MIN
ST-85812	1:1 (±5%)	2.5	0.50	25	20	2000	3 dB	20 dB

## Mechanicals



Dimensions: Inches  
mm

Unless otherwise specified all tolerances are  $\pm .010$   
 $0,25$



## Schematics

