

10/100BASE-TX DUAL PORT TRANSFORMER MODULES

FEATURES

- Compliant with IEEE 802.3u and ANSI X3.263 standards including 350 μ H OCL with 8 mA bias
- designed to support two RJ-45 connectors
- IC grade, transfer-molded package withstands 235°C peak temperature profile
- Isolation voltage: 1500 Vrms

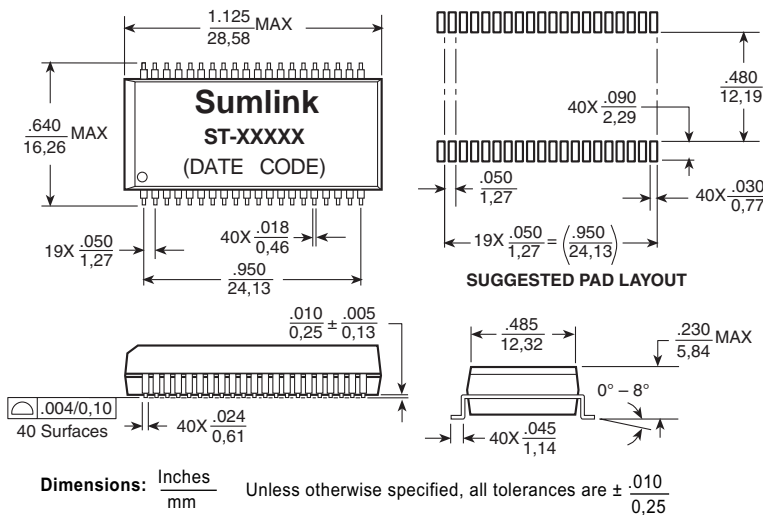


Electrical Specifications @ 25°C — Operating Temperature 0°C to 70°C

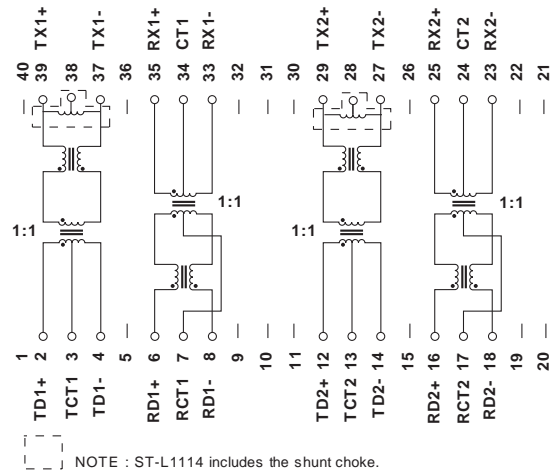
Part Number	Insertion Loss (dB TYP)	Return Loss (dB MIN)					Crosstalk (dB TYP)				Differential to Common Mode Rejection (dB TYP)	
		0.1-100 MHz	2-30 MHz	40 MHz	50 MHz	60-80 MHz	1 MHz	30 MHz	60 MHz	100 MHz	1-60 MHz	60-200 MHz
ST-L1026	-0.5	-21	-17	-14.5	-12	-65	-55	-45	-35	-40	-30	
ST-L1027	-0.5	-21	-17	-14.5	-12	-65	-55	-45	-35	-53	-40	
ST-L1028	-0.5	-21	-17	-14.5	-12	-65	-55	-45	-35	-45	-35	
ST-L1049	-0.5	-21	-17	-14.5	-12	-65	-55	-45	-35	-45	-35	
ST-L1114	-1.2	-16	-14	-13	-12	-50	-45	-40	-35	-37	-33	

Mechanicals

Schematics

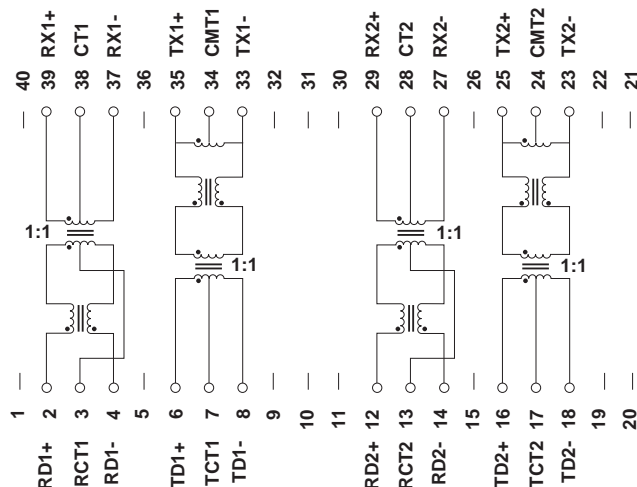


ST-L1026, ST-L1114



Schematics

ST-L1049



ST-L1027, ST-L1028

