

10/100BASE-TX SINGLE PORT TRANSFORMER MODULES

FEATURES

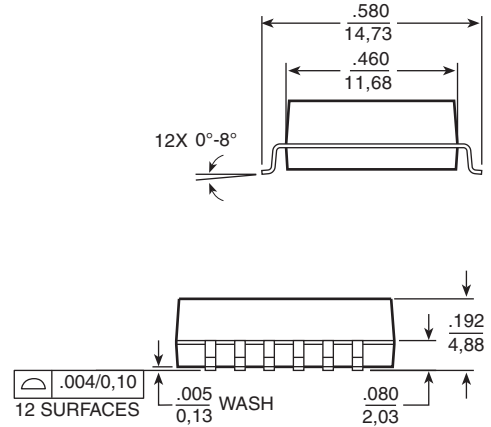
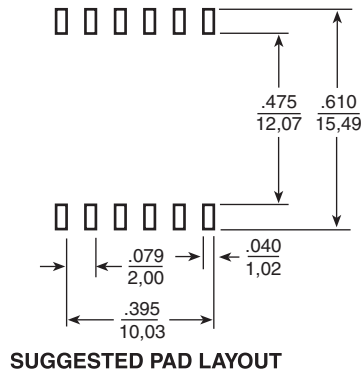
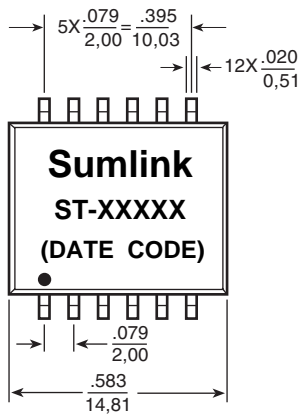
- IEEE 802.3 and ANSI X3.263 compliant including 350 μ H OCL with 8 mA bias
- IC grade transfer-molded package withstands temperatures over 235°C
- Isolation Voltage: 1500Vrms



Electrical Specifications @ 25°C — Operating Temperature 0°C to 70°C

Part Number	Transmit Turns Ratio	Insertion Loss 10 KHz - 100 MHz (dB MAX)	Return Loss Transmit (dB MIN)				Differential to Common Mode Rejection (dB TYP)				Crosstalk (dB MIN)			
			1-30 MHz	40 MHz	50 MHz	60-80 MHz	30 MHz	60 MHz	100 MHz	200 MHz	1 MHz	30 MHz	60 MHz	100 MHz
ST-L1112	1CT:1CT	1.2	-16	-14	-13	-12	-59	-49	-42	-37	-60	-40	-40	-35
ST-L1113	1CT:1CT	1.2	-16	-14	-13	-12	-55	-45	-38	-33	-60	-40	-40	-35
ST-L1126	1CT:1.414CT	1.2	-16	-14	-13	-12	-59	-49	-42	-37	-60	-40	-40	-35

Mechanical



Dimensions: $\frac{\text{Inches}}{\text{mm}}$

Unless otherwise specified, all tolerances are $\pm \frac{.010}{0,25}$

Schematics

ST-L1112, ST-L1126

ST-L1113

