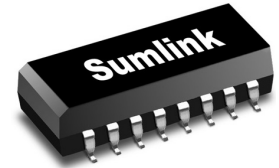


10/100 BASE-T SINGLE PORT TRANSFORMER MODULES

FEATURES

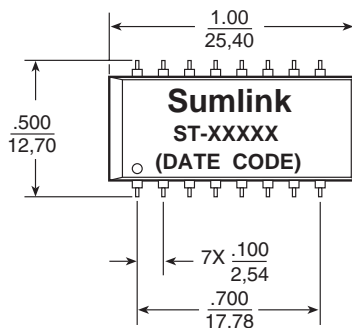
- With 1:1 Transmit Turns Ratios
- Meets all IEEE 802.3 and ANSI X3.263 standards including 350 μ H OCL with 8 mA bias
- IC grade transfer-molded package withstands 235°C peak temperature profile



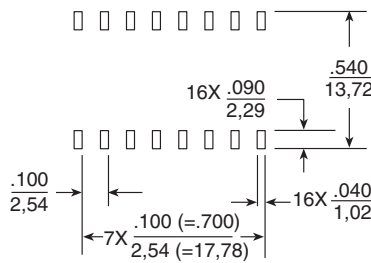
Electrical Specifications @ 25°C — Operating Temperature 0°C to 70°C

Part Number	Insertion Loss (dB MAX)	Return Loss (dB MIN @ 100 Ω)					Differential to Common Mode Rejection (dB MIN)			Crosstalk (dB TYP)			Hipot (Vrms MIN)
		0.1-100 MHz	1-30 MHz	40 MHz	50 MHz	60-80 MHz	30 MHz	60 MHz	100 MHz	30 MHz	60 MHz	100 MHz	
ST-L1012T	-1.0	-20	-20	-18	-14	-42	-36	-33	-50	-40	-40	1500	
ST-L1042	-1.0	-16	-13.5	-11.5	-10	-45	-40	-35	-40	-38	-35	1500	
ST-L1086	-1.0	-22	-20	-18	-12	-45	-40	-35	-50	-40	-40	1500	
ST-L1089	-1.0	-22	-20	-18	-12	-42	-38	-32	-50	-40	-40	1500	
ST-L1117	-1.0	-22	-20	-18	-12	-45	-40	-35	-50	-40	-40	1500	
ST-L1138	-0.8	-18	-16	-14	-12	-42	-37	-33	-50	-40	-40	1500	
ST-88515	-1.0	-18	-18	-16	-12	-50	-45	-40	-55	-50	-50	1500	
ST-88517	-1.0	-18	-16	-15	-12	-45	-40	-35	-50	-40	-40	1500	

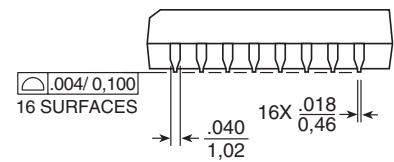
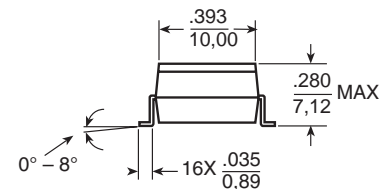
Mechanical



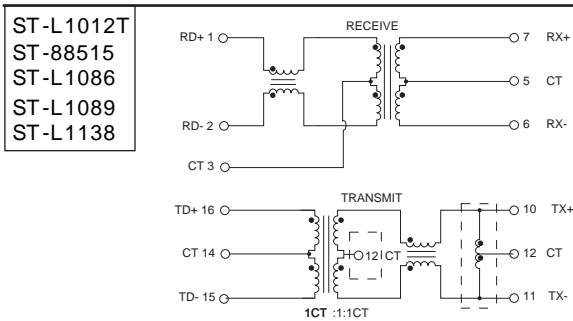
Dimensions: $\frac{\text{Inches}}{\text{mm}}$ Unless otherwise specified, all tolerances are $\pm \frac{.010}{0,25}$



SUGGESTED PAD LAYOUT



Schematics



[] Center-tapped inductor not included in ST-L1089. So, pin 12 connects to the transformer center tap.

