

# 10BASE-T THROUGH HOLE INTERFACE MODULES

## FEATURES

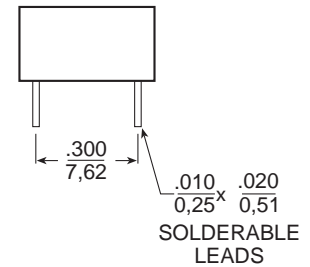
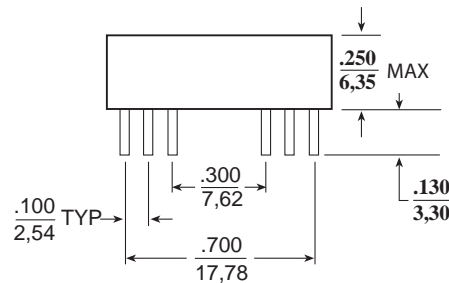
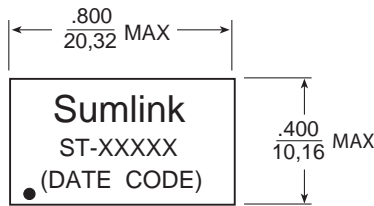
- Meet or exceed IEEE 802.3 10Base-T specifications
- For MAUs, hubs, and motherboard applications
- High performance for maximum EMI suppression
- Minimum 1500 Vrms isolation per IEEE 802.3 requirement
- Compatible with multiple 10Base-T chips



Electrical Specifications @ 25°C — Operating Temperature 0°C to 70°C

Part Number	Package Type (Pins)	Insertion Loss 1 to 10 MHz (dB MAX)	Attenuation (dB MIN)				Return Loss 1 to 10 MHz 100 Ω ± 15 Ω (dB MIN)	Crosstalk 1 to 30 MHz (dB MIN)	Common Mode Rejection (db MIN)	
			30-50 MHz		50-100 MHz				50 MHz	100 MHz
			TX	RX	TX	RX				
ST-85432	DIL (16)	-1.0	-32	-20	-25	-25	-15	-30	-30	-25
ST-85433	DIL (16)	-1.0	-30	-15	-35	-20	-15	-30	-35	-30
ST-85434	DIL (16)	-1.0	-30	-15	-35	-20	-15	-30	-35	-30

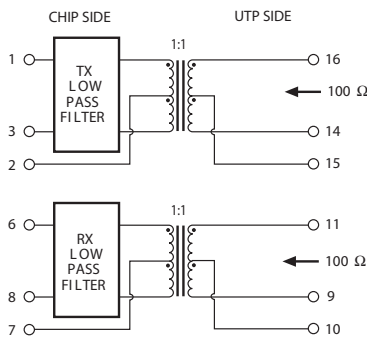
## Mechanical



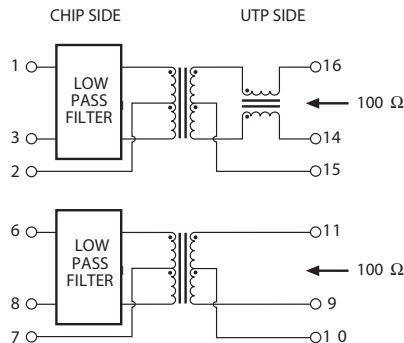
Dimensions:  $\frac{\text{Inches}}{\text{mm}}$  Unless otherwise specified, all tolerances are  $\pm \frac{.010}{0,25}$

## Schematic

ST-85432



ST-85433



ST-85434

