

# 10/100 PC CARD LAN MAGNETICS SOLUTIONS

## FEATURES

- Half port and single port designs for maximum layout flexibility
- Low profile packages from .094" (2,39 mm) to .078" (1,98 mm) for PC Card and Cardbus applications

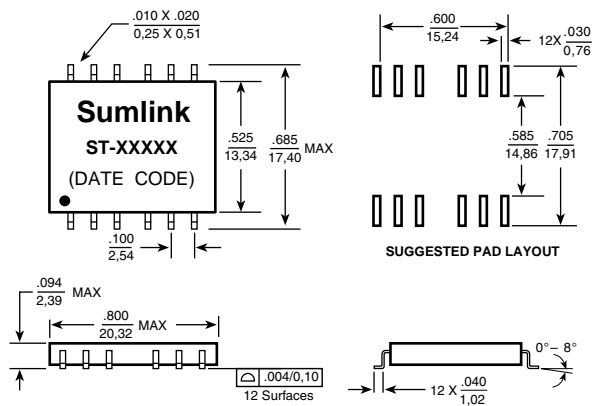


Electrical Specifications @ 25°C — Operating Temperature 0°C to 70°C

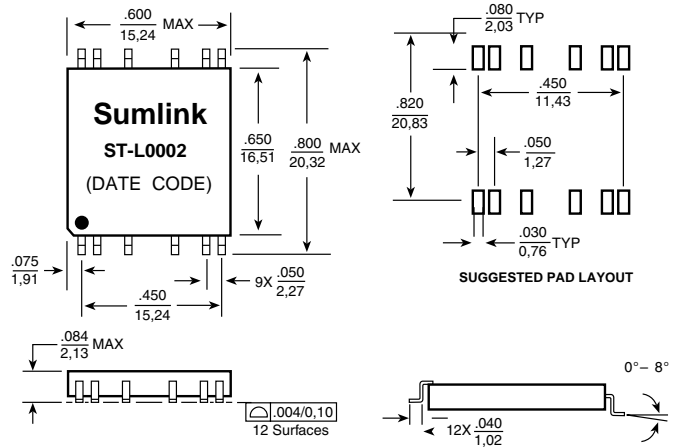
Part Number	Turns Ratio (±5%)		Insertion Loss 100 kHz-100 MHz (dB MAX)	Return Loss (dB MIN)			Differential to Common Mode Rejection (dB MIN)			Crosstalk (dB MIN)			Hipot (Vrms MIN)
	Transmit	Receive		30 MHz	60 MHz	80 MHz	30 MHz	50 MHz	100 MHz	30 MHz	62 MHz	100 MHz	
ST-89012	1:1	1:1	-1.3	-18	-13	-11	-40	-35	-30	-40	-40	-35	1500
ST-L0001	$\sqrt{2}:1$	1:1	-2.0	-18	-12	-10	-30	-30	-30	-40	-40	-35	1500
ST-L0002	1:1	1:1	-1.3	-18	-13	-11	-30	-30	-30	-40	-35	-30	1500
ST-L0007	1:1	1:1	-1.3	-16	-12	-11	-15	-18	-20	-40	-40	-35	1500
ST-L0009	1:1	1:1	-0.9	-16	-12	-11	-35	-33	-20	-50	-45	-40	1500
ST-L0013	1:1	1:1	-0.9	-16	-12	-11	-35	-33	-20	-50	-45	-40	1500
ST-L0019	1:1	1:1	-0.9	-18	-12	-11	-40	—	-30	-45	-45	-37	1500
ST-L0020	1:1	1:1	-1.0	-16	-12	-12	-42	—	-33	-45	-40	-35	1500
ST-L0022	1:1	1:1	-2.0	-18	-14	-12	-40	-35	-30	-50	-45	-40	1500
ST-L0025	1:1	1:1	-2.0	-18	-12	-12	-40	-35	-30	-45	-45	-37	1500
ST-L0026	1:1	1:1	-1.5	-18	-12	-12	-40	-35	-30	-45	-45	-37	1500

## Mechanicals

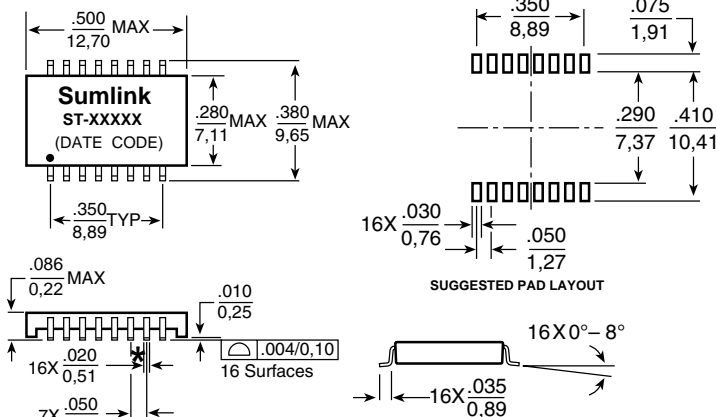
### ST-89012, ST-L0001



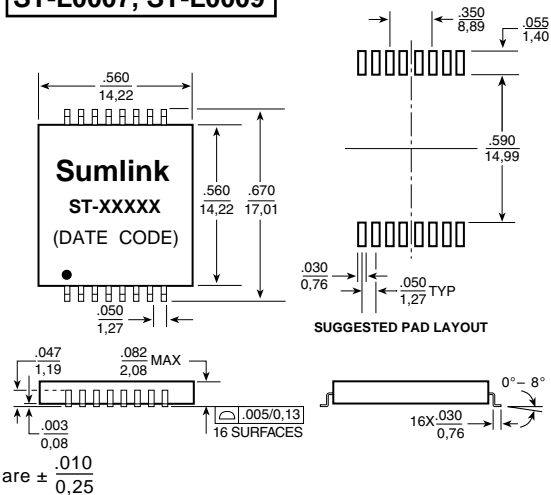
### ST-L0002



### ST-L0013, ST-L0019



### ST-L0007, ST-L0009

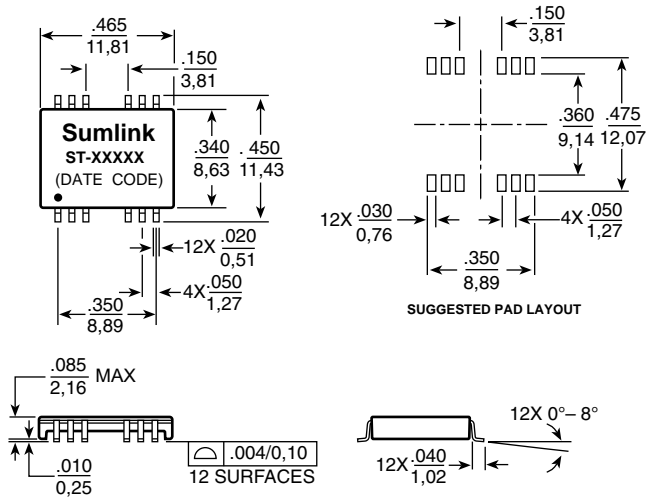


Dimensions:  $\frac{\text{Inches}}{\text{mm}}$  Unless otherwise specified, all tolerances are  $\pm 0,25$

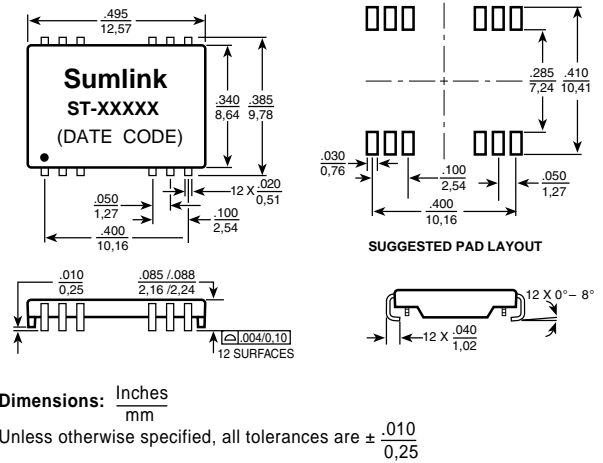
# 10/100 PC CARD LAN MAGNETICS SOLUTIONS

## Mechanicals

**ST-L0020, ST-L0022, ST-L0025**

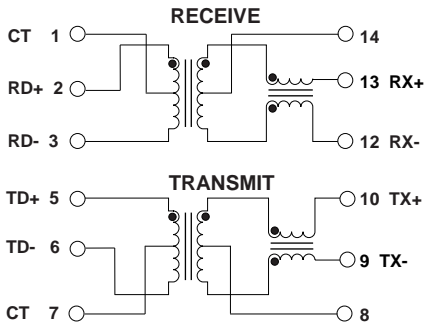


**ST-L0026**

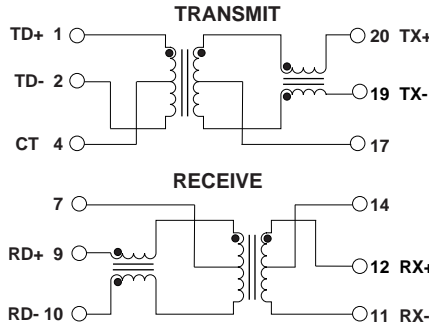


## Schematics

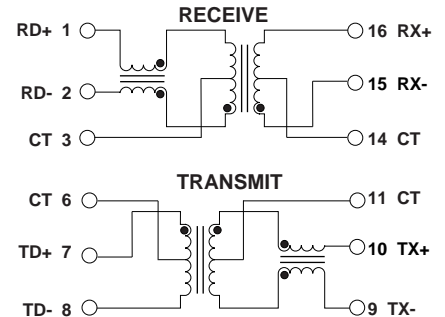
**ST-89012, ST-L0001**



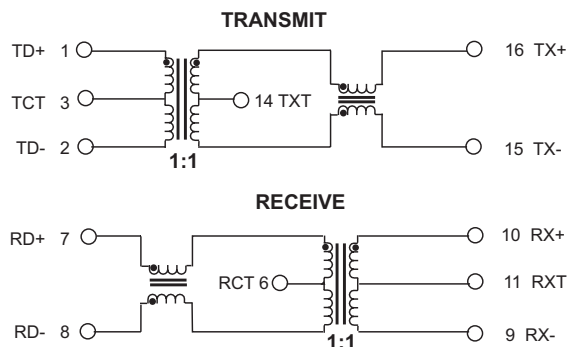
**ST-L0002**



**ST-L0007, ST-L0009, ST-L0013  
ST-L0019, ST-L0025**



**ST-L0020**



**ST-L0022, ST-L0026**

