

SINGLE RJ45 CONNECTOR MODULE WITH INTEGRATED 1000 BASE-T MAGNETICS

FEATURES

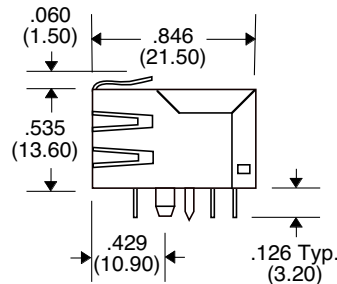
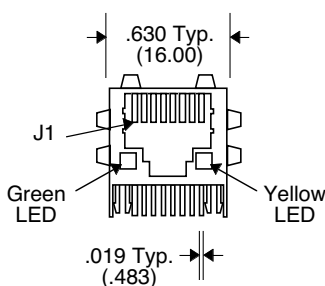
- 1000 Base-T RJ45 1x1 Tab-DOWN with integrated magnetics connector
- Available with or without LEDs
- Suitable for CAT 5 & 6 Fast Ethernet Cable or better UTP
- 350 μ H minimum OCL with 8 mA bias current
- Minimum 1500 Vrms isolation per IEEE 802.3 requirement



Electrical Specifications @ 25°C — Operating Temperature 0°C to +70°C

Part Number	LEDs L/R	Insertion Loss TX/RX (dB)	Return Loss (dB TYP) 100 Ω ($\pm 15 \Omega$)					Crosstalk (dB TYP)			Common Mode Rejection (dB TYP)			Hipot (MIN) @ 60 Hz 1MIN
			0.3-100MHz	1-30MHz	40MHz	50MHz	60-80MHz	30MHz	60MHz	100MHz	30MHz	60MHz	100MHz	
ST-JK001	NA	-1.2	-16	-13.5	-11.5	-10	-40	-36	-30	-35	-32	-30	1500 Vrms	
ST-JK002	G/Y	-1.2	-16	-13.5	-11.5	-10	-40	-36	-30	-35	-32	-30	1500 Vrms	
ST-JK003	NA	-1.2	-16	-13.5	-11.5	-10	-40	-36	-30	-35	-32	-30	1500 Vrms	
ST-JK004	G/Y	-1.2	-16	-13.5	-11.5	-10	-40	-36	-30	-35	-32	-30	1500 Vrms	

Mechanicals



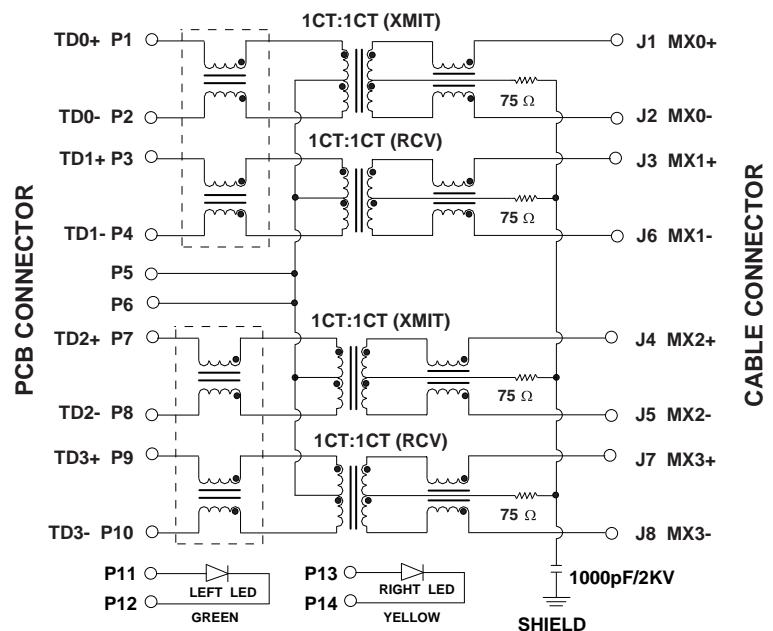
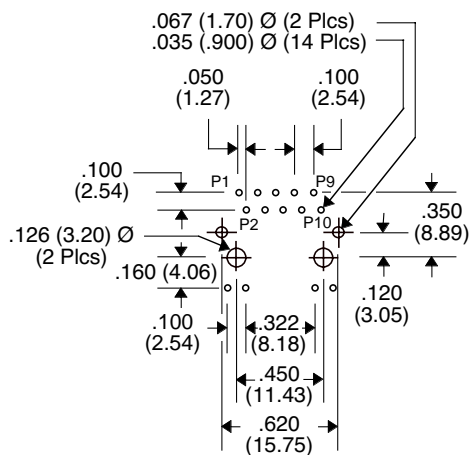
Dimensions: $\frac{\text{Inches}}{\text{mm}}$

Unless otherwise specified,

all tolerances are $\pm \frac{.010}{0.25}$

Schematics

Recommended PCB Layout
(Component Side)



NOTE: ST-JK003, ST-JK004 does not have the additional choke.