

# RJ45 CONNECTOR MODULE WITH INTEGRATED 10/100 BASE-TX MAGNETICS

## FEATURES

- RJ45 1xN, Tab-DOWN 8-pin with internal magnetics
- Options: 1x2, 1x4, 1x6, and 1x8 for 10/100 Base-TX
- Available with and without LEDs
- Suitable for CAT 5 and 6 Fast Ethernet cable or better UTP
- Internal magnetics are 100% electrically tested for HI-POT and functionality
- 350  $\mu$ H minimum OCL with 8 mA bias current
- High performance for maximum EMI suppression
- Minimum 1500 Vrms isolation per IEEE 802.3 requirement



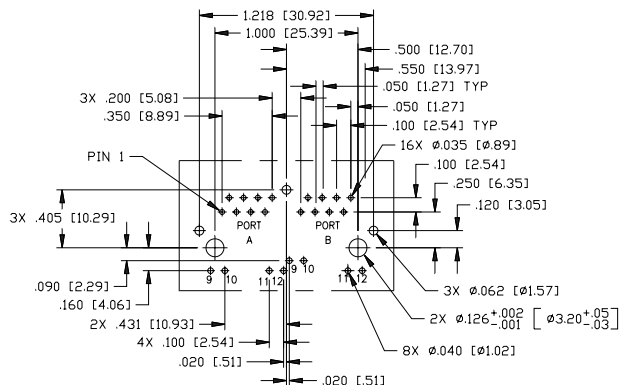
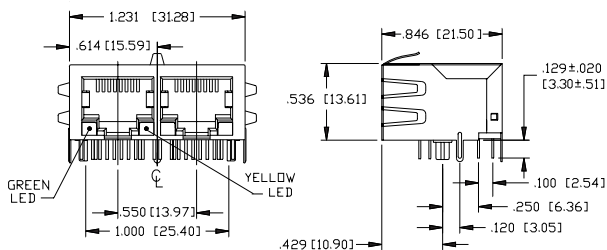
Electrical Specifications @ 25°C — Operating Temperature 0°C to +70°C

Part Number (Number of Ports)	Turns Ratios		Tab Option	LEDs L/R	Insertion Loss (dB TYP) TX/RX (dB TYP)				Return Loss (dB TYP) 100 $\Omega$ ( $\pm 15 \Omega$ )			Crosstalk (dB TYP)			Common Mode Rejection (dB TYP)		Hipot (MIN) @ 60 Hz 1 MIN
	TX	RX			1-100 MHz	1-10 MHz	30 MHz	60-80 MHz	1-10 MHz	30-60 MHz	60-100 MHz	1-50 MHz	50-130 MHz				
ST-J1202 (1X2)	1CT:1CT	1CT:1CT	DOWN	G/Y	-1.0	-20	-16	-12	-40	-35	-30	-30	-20	1500 Vrms			
ST-J1402 (1X4)	1CT:1CT	1CT:1CT	DOWN	G/Y	-1.0	-20	-16	-12	-40	-35	-30	-30	-20	1500 Vrms			
ST-J1602 (1X6)	1CT:1CT	1CT:1CT	DOWN	G/Y	-1.0	-20	-16	-12	-40	-35	-30	-30	-20	1500 Vrms			
ST-J1802 (1X8)	1CT:1CT	1CT:1CT	DOWN	G/Y	-1.0	-20	-16	-12	-40	-35	-30	-30	-20	1500 Vrms			
ST-J1201 (1X2)	1CT:1CT	1CT:1CT	DOWN	N/A	-1.0	-20	-16	-12	-40	-35	-30	-30	-20	1500 Vrms			
ST-J1401 (1X4)	1CT:1CT	1CT:1CT	DOWN	N/A	-1.0	-20	-16	-12	-40	-35	-30	-30	-20	1500 Vrms			
ST-J1601 (1X6)	1CT:1CT	1CT:1CT	DOWN	N/A	-1.0	-20	-16	-12	-40	-35	-30	-30	-20	1500 Vrms			
ST-J1801 (1X8)	1CT:1CT	1CT:1CT	DOWN	N/A	-1.0	-20	-16	-12	-40	-35	-30	-30	-20	1500 Vrms			

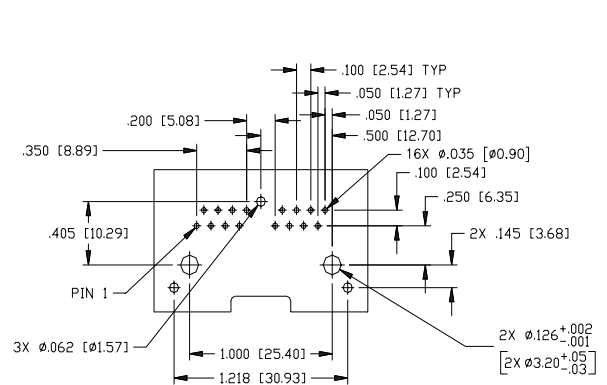
## Mechanicals

### ST-J1202

### ST-J1201



SUGGESTED PC BOARD LAYOUT VIEWED FROM COMPONENT SIDE  
 PCB LAYOUT DIMENSIONS TO BE  $\pm$ .003 UNLESS OTHERWISE SPECIFIED

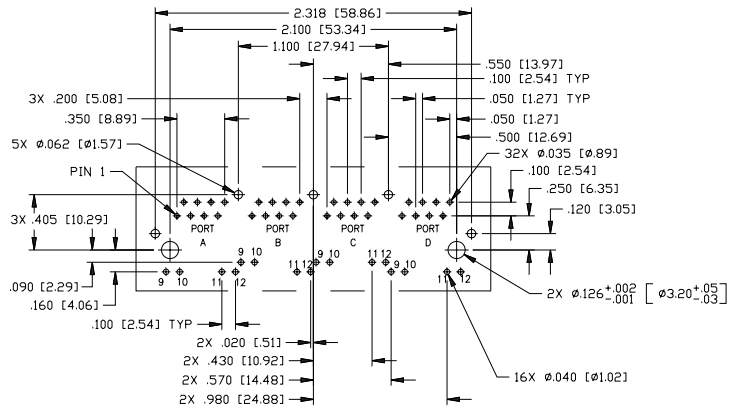
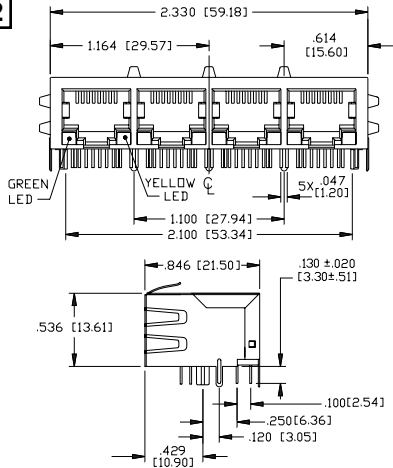


SUGGESTED PC BOARD LAYOUT VIEWED FROM COMPONENT SIDE  
 PCB LAYOUT DIMENSIONS TO BE  $\pm$ .003 UNLESS OTHERWISE SPECIFIED

# SINGLE RJ45 CONNECTOR MODULE WITH INTEGRATED 10/100 BASE-TX MAGNETICS

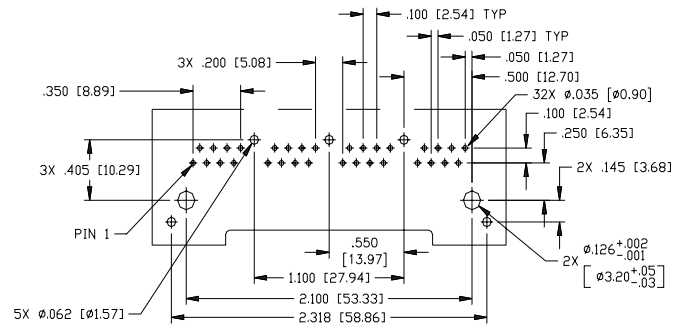
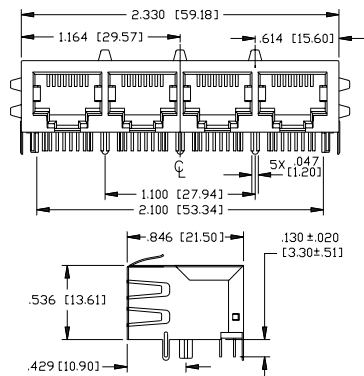
## Mechanicals

**ST-J1402**



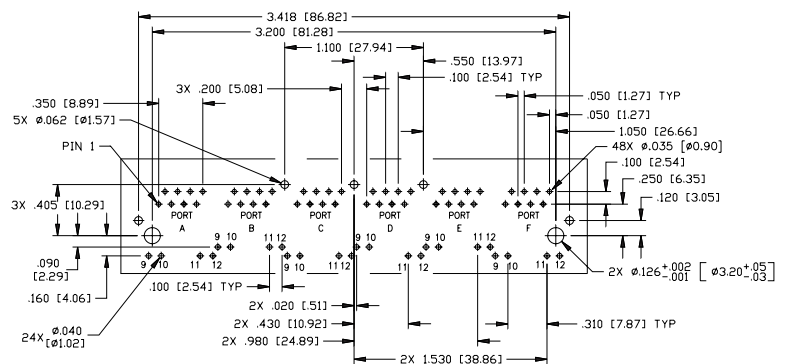
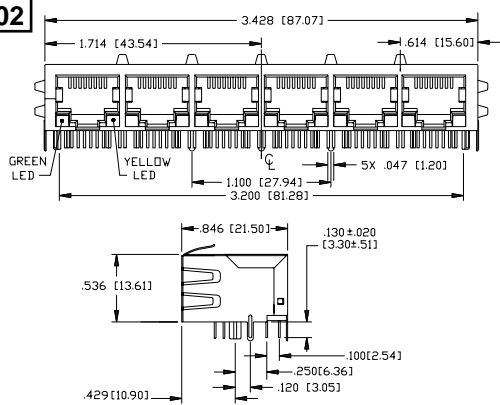
SUGGESTED PC BOARD LAYOUT VIEWED FROM COMPONENT SIDE  
PCB LAYOUT DIMENSIONS TO BE ±.003 UNLESS OTHERWISE SPECIFIED

**ST-J1401**



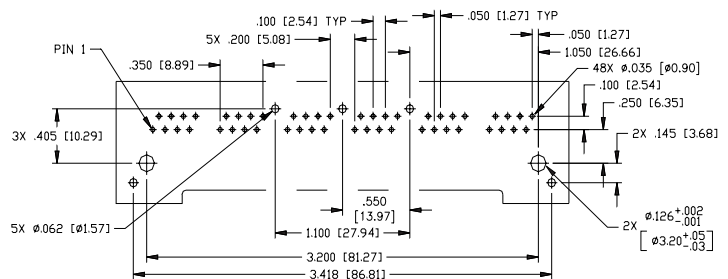
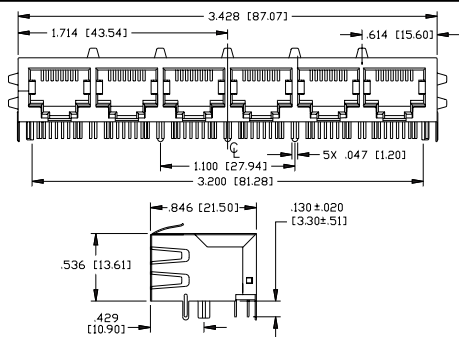
SUGGESTED PC BOARD LAYOUT VIEWED FROM COMPONENT SIDE  
PCB LAYOUT DIMENSIONS TO BE ±.003 UNLESS OTHERWISE SPECIFIED

**ST-J1602**



SUGGESTED PC BOARD LAYOUT VIEWED FROM COMPONENT SIDE  
PCB LAYOUT DIMENSIONS TO BE ±.003 UNLESS OTHERWISE SPECIFIED

**ST-J1601**



SUGGESTED PC BOARD LAYOUT VIEWED FROM COMPONENT SIDE  
PCB LAYOUT DIMENSIONS TO BE ±.003 UNLESS OTHERWISE SPECIFIED

