

SINGLE RJ45 CONNECTOR MODULE WITH INTEGRATED 10/100 BASE-TX MAGNETICS

FEATURES

- 10/100 Base-TX RJ45 1x1 Tab-DOWN with LEDs 8-pin integrated magnetics connector
- Available with or without LEDs
- Suitable for CAT 5 & 6 Fast Ethernet Cable or better UTP
- Meets or exceeds IEEE 802.3 standard for 100Base-T
- 350 μ H minimum OCL with 8 mA bias current
- Minimum 1500 Vrms isolation per IEEE 802.3 requirement

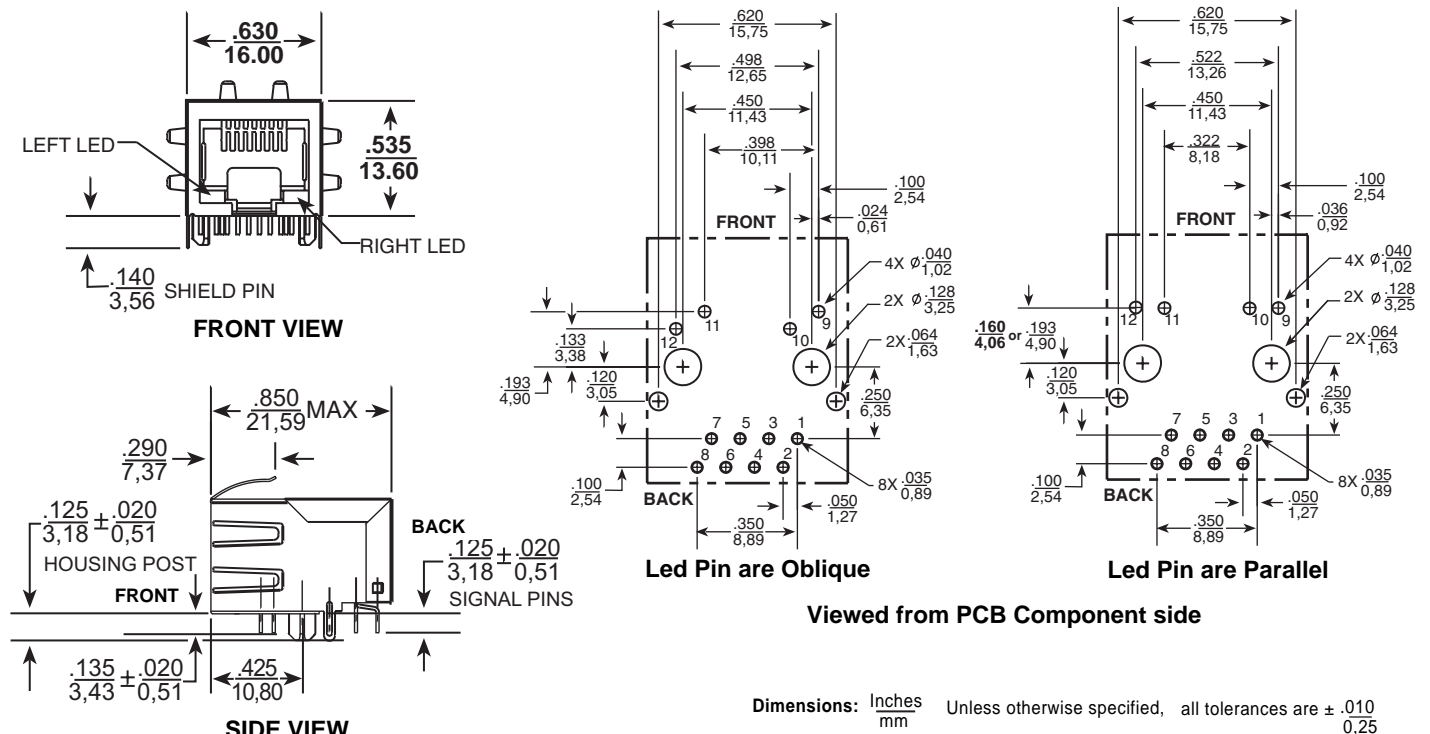


Electrical Specifications @ 25°C — Operating Temperature 0°C to +70°C

Part Number	Turns Ratios		EMI Fingers	LEDs (L/R)	Insertion Loss (dB TYP)	Return Loss (dB TYP)					Crosstalk (dB TYP)			Common Mode Rejection (dB TYP)		Hipot (Vrms)
	TX	RX				1-65 MHz	1-10 MHz	10-30 MHz	30-60 MHz	60-80 MHz	1-30 MHz	30-60 MHz	60-100 MHz	1-50 MHz	50-150 MHz	
ST-J0005	1CT:1	1CT:1	YES	N/A	-1	-20	-16	-12	-10	-40	-35	-30	-30	-20	1500	
ST-J0006	1CT:1	1CT:1	YES	G/Y	-1	-20	-16	-12	-10	-40	-35	-30	-30	-20	1500	
ST-J0011	1CT:1	1CT:1	YES	N/A	-1	-20	-16	-12	-10	-40	-35	-30	-30	-20	1500	
ST-J0012	1CT:1	1CT:1	YES	G/Y	-1	-20	-16	-12	-10	-40	-35	-30	-30	-20	1500	
ST-J0013	1CT:1	1CT:1	YES	N/A	-1	-20	-16	-12	-10	-40	-35	-30	-30	-20	1500	
ST-J0017	1CT:1.414	1CT:1	YES	N/A	-1	-20	-16	-12	-10	-40	-35	-30	-30	-20	1500	
ST-J0018	1CT:1.414	1CT:1	YES	G/G	-1	-20	-16	-12	-10	-40	-35	-30	-30	-20	1500	
ST-J0023	1CT:2	1CT:1	YES	N/A	-1	-20	-16	-12	-10	-40	-35	-30	-30	-20	1500	
ST-J0024	1CT:2	1CT:1	YES	G/Y	-1	-20	-16	-12	-10	-40	-35	-30	-30	-20	1500	
ST-J0025	1CT:1	1CT:1	YES	N/A	-1	-20	-16	-12	-10	-40	-35	-30	-30	-20	1500	
ST-J0026	1CT:1	1CT:1	YES	G/Y	-1	-20	-16	-12	-10	-40	-35	-30	-30	-20	1500	
ST-J0033	1.25CT:1	1CT:1	YES	N/A	-1	-20	-16	-12	-10	-40	-35	-30	-30	-20	1500	
ST-J0036	1CT:1	1CT:1	YES	G/Y	-1	-20	-16	-12	-10	-40	-35	-30	-30	-20	1500	
ST-J0048	1CT:1	1CT:1	YES	G/G	-1	-20	-16	-12	-10	-40	-35	-30	-30	-20	1500	
ST-J0073	1CT:2.5	1CT:1	No	G/Y	-1	-20	-16	-12	-10	-40	-35	-30	-30	-20	1500	

Note: 1. For Led pin are parallel, add a "A" suffix a the end of the part number when ordering e.g. ST-J0012A
 2. For without EMI Fingers, add a "B" suffix a the end of the part number when ordering e.g. ST-J0025B

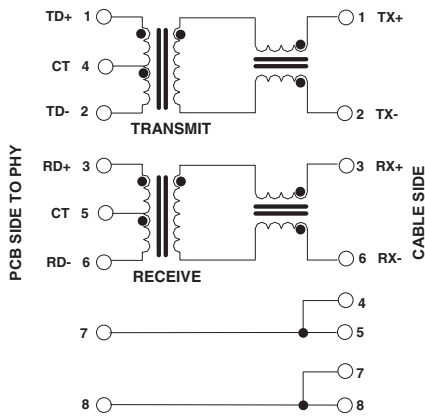
Mechanicals



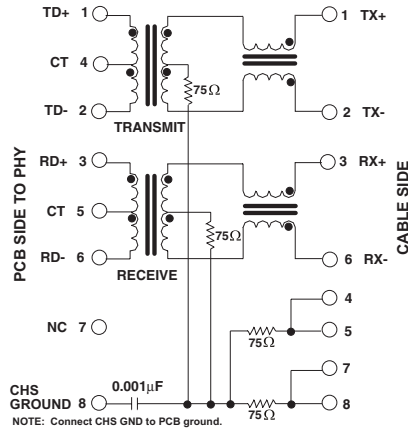
SINGLE RJ45 CONNECTOR MODULE WITH INTEGRATED 10/100 BASE-TX MAGNETICS

Schematics

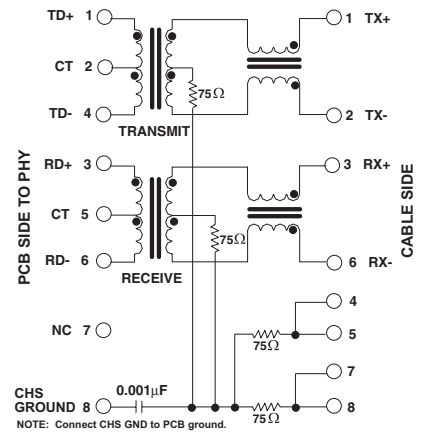
ST-J0005, ST-J0006



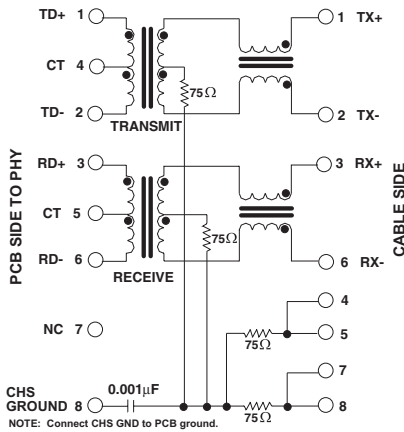
ST-J0011, ST-J0012



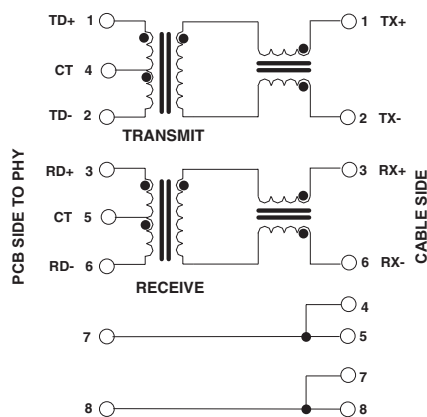
ST-J0013



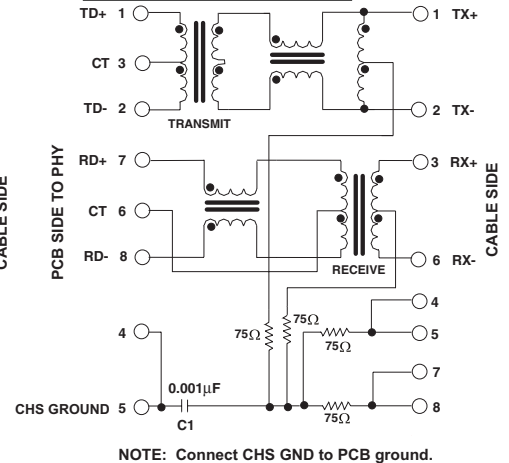
ST-J0017, ST-J0018



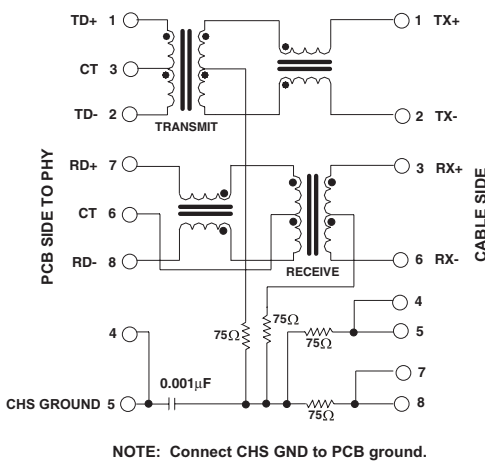
ST-J0023, ST-J0024



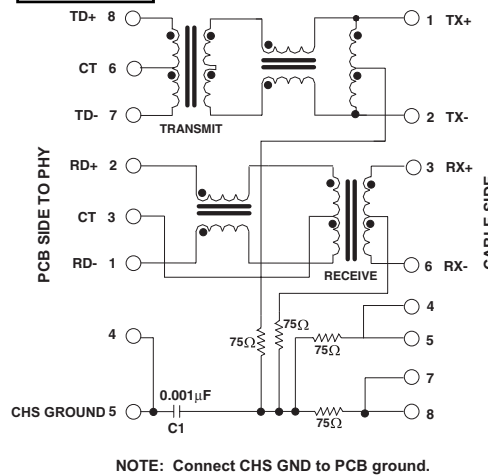
ST-J0025, ST-J0026



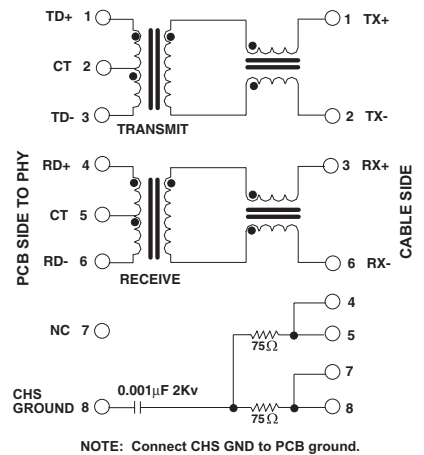
ST-J0033, ST-J0073



ST-J0036



ST-J0048



RJ45 Material Specification

1. Housing Material: Glass filled Polyester UL94V-0
2. Contact Material: Phosphor Bronze T=0.35mm
3. Plating : Contact Area-Selective Gold Palting
Tail-150u" Tin-Lead Min Over 50u"
4. Shield Material: Brass

LED Configuration

