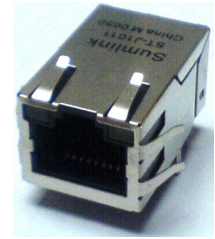


RJ45 JACK WITH 10/100BASE-T MAGANETIC MODULE

FEATURES

- 1x1 Tab-UP RJ45 connector integrated 10/100Base-T magnetics
- Meets or exceeds IEEE 802.3 standard for 100Base-T
- 350uH minimum OCL with 8mA bias current
- Suitable for CAT 5 & 6 Fast Ethernet Cable or better UTP
- Isolation Voltage:1500 Vrms



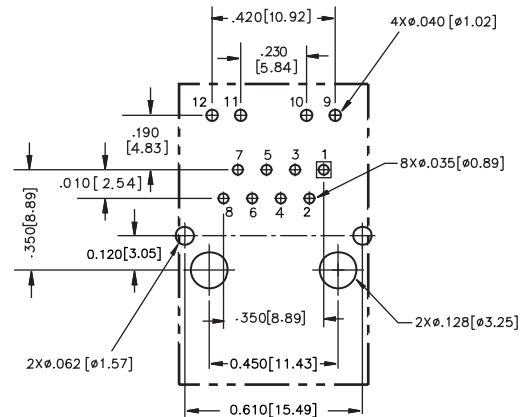
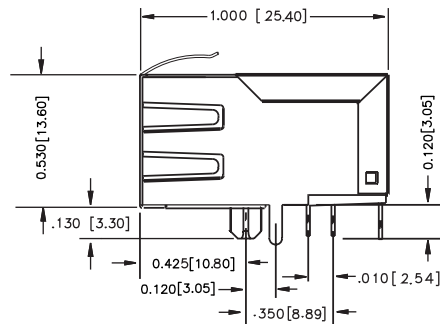
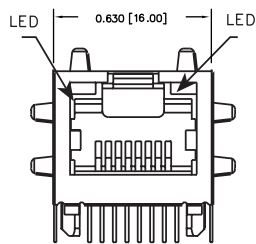
Electrical Specifications @ 25°C — Operating Temperature 0°C to +70°C

Part Number	Turns Ratios		EMI Fingers	LEDs L/R	Insertion Loss (dB TYP)	Return Loss (dB TYP)					Crosstalk (dB TYP)			Common Mode Rejection (dB TYP)		Hipot (Vrms)
	TX	RX				1-65MHz	1-10MHz	10-30MHz	30-60MHz	60-80MHz	1-30MHz	30-60MHz	60-100MHz	1-50MHz	50-150MHz	
ST-J1005	1CT:1	1CT:1	YES	NONE	-1.0	-20	-16	-12	-10	-40	-35	-30	-30	-20	1500	
ST-J1006B	1CT:1	1CT:1	No	G/Y	-1.0	-20	-16	-12	-10	-40	-35	-30	-30	-20	1500	
ST-J1011	1CT:1	1CT:1	YES	G/Y	-1.0	-20	-16	-12	-10	-40	-35	-30	-30	-20	1500	
ST-J1011B	1CT:1	1CT:1	No	G/Y	-1.0	-20	-16	-12	-10	-40	-35	-30	-30	-20	1500	
ST-J1012	1CT:1	1CT:1	YES	Y/G	-1.0	-20	-16	-12	-10	-40	-35	-30	-30	-20	1500	
ST-J1026	1CT:1	1CT:1	YES	Y/G	-1.0	-20	-16	-12	-10	-40	-35	-30	-30	-20	1500	
ST-J1026B	1CT:1	1CT:1	No	G/Y	-1.0	-20	-16	-12	-10	-40	-35	-30	-30	-20	1500	
ST-J2006	1CT:1	1CT:1	YES	G_O/Y	-1.0	-20	-16	-12	-10	-40	-35	-30	-30	-20	1500	
ST-J2012	1CT:1	1CT:1	YES	G_O/Y	-1.0	-20	-16	-12	-10	-40	-35	-30	-30	-20	1500	
ST-J2026	1CT:1	1CT:1	YES	G_O/Y	-1.0	-20	-16	-12	-10	-40	-35	-30	-30	-20	1500	

Notes: Add suffix "NL" for RoHS compliant parts.

Mechanicals

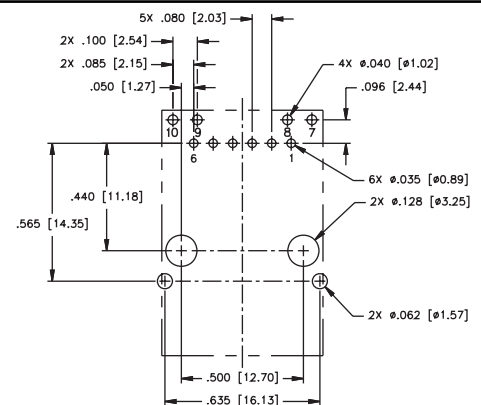
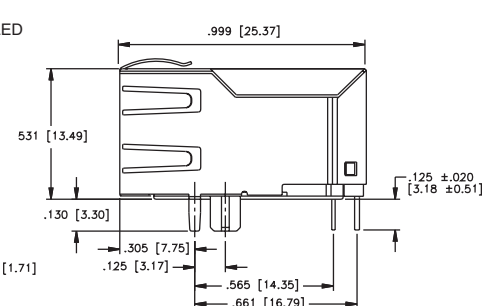
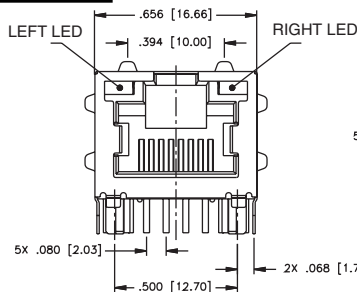
ST-J10XX



Dimensions: $\frac{\text{Inches}}{\text{mm}}$ Unless otherwise specified, all tolerances are $\pm \frac{.010}{0,25}$

SUGGESTED PCB LAYOUT COMPONENT SIDE SHOWN

ST-J20XX



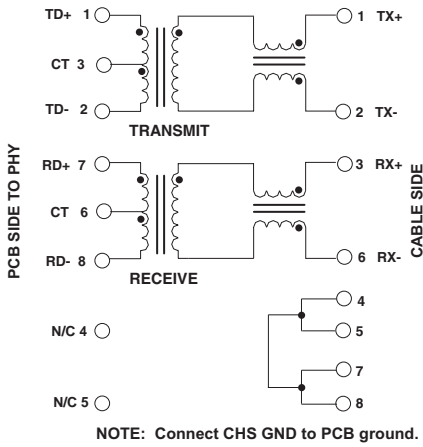
Dimensions: $\frac{\text{Inches}}{\text{mm}}$ Unless otherwise specified, all tolerances are $\pm \frac{.010}{0,25}$

SUGGESTED PCB LAYOUT COMPONENT SIDE SHOWN

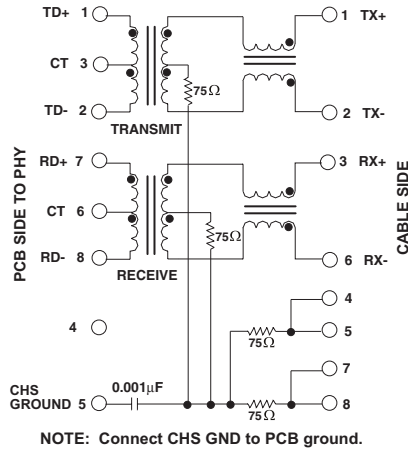
RJ45 JACK WITH 10/100BASE-T MAGANETIC MODULE

Schematics

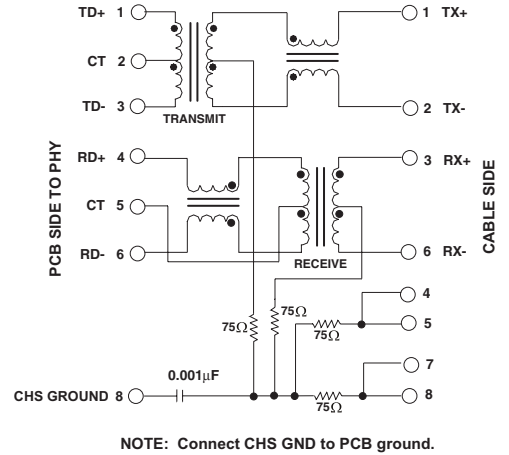
ST-J1005, ST-J1006B



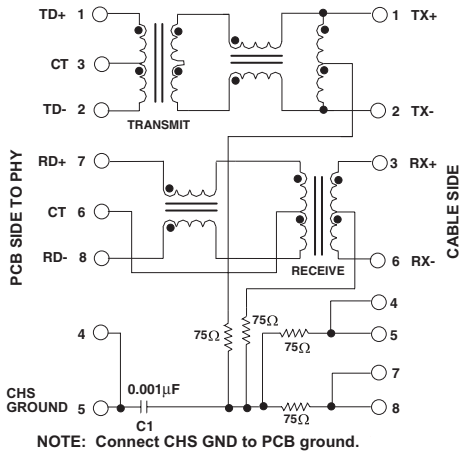
ST-J1011, ST-J1011B



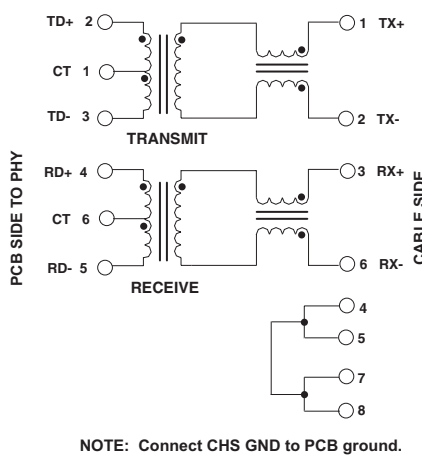
ST-J1012



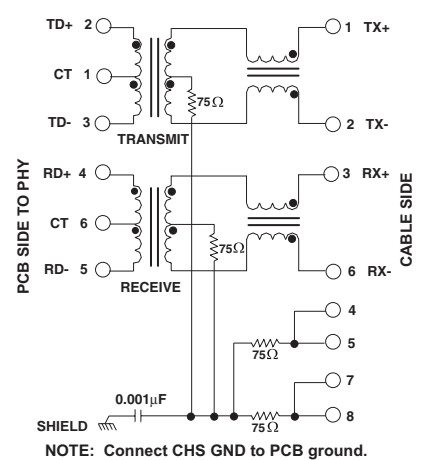
ST-J1026, ST-J1026B



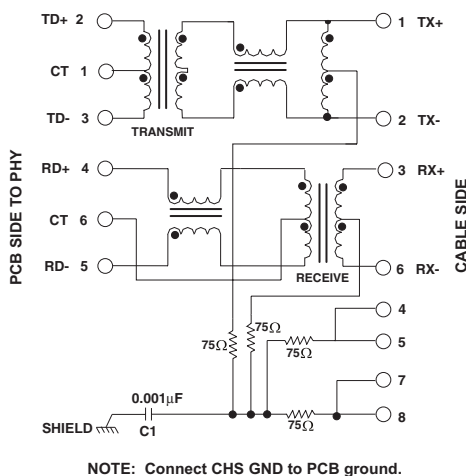
ST-J2006



ST-J2012

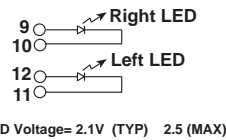


ST-J2026

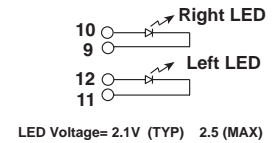


LED Configuration

ST-J1006B, ST-J1011, ST-J1011B, ST-J1026B



ST-J1012, ST-J1026



ST-J2006, ST-J2012, ST-J2026

