

# SINGLE RJ45 CONNECTOR MODULE WITH INTEGRATED 10 BASE-TX MAGNETICS

## FEATURES

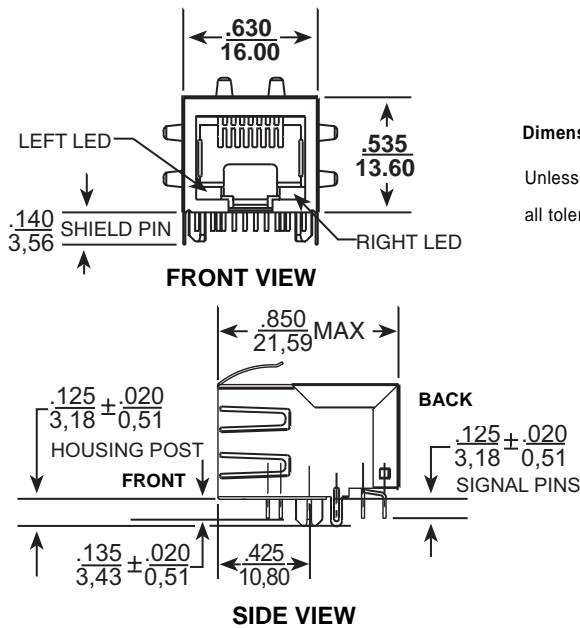
- 10/100 Base-TX RJ45 1x1 Tab-DOWN with LEDs 8-pin integrated magnetics connector
- Available with or without LEDs
- Suitable for CAT 5 & 6 Fast Ethernet Cable or better UTP
- Meets or exceeds IEEE 802.3 standard for 100Base-T
- 350  $\mu$ H minimum OCL with 8 mA bias current
- Minimum 1500 Vrms isolation per IEEE 802.3 requirement



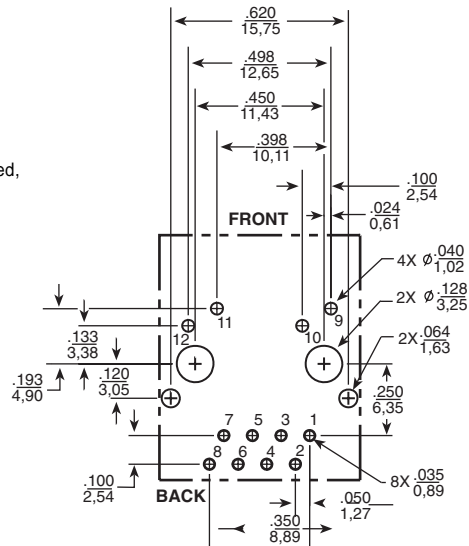
Electrical Specifications @ 25°C — Operating Temperature 0°C to +70°C

Part Number	Turns Ratios		EMI Fingers	LEDs (L/R)	Insertion Loss (dB TYP)	Return Loss (dB TYP) 100 $\Omega$ $\pm$ 15 $\Omega$	Crosstalk (dB TYP)	Common Mode Rejection (dB TYP)	Hipot (Vrms) @60Hz 1MIN
	TX	RX							
ST-J0003	1CT:1CT	1CT:1CT	No	N/A	-1	-15	-30	-25	1500
ST-J1101	1CT:2.5	1CT:1	Yes	N/A	-1	-15	-30	-25	1500
ST-J1102	1CT:2.5	1CT:1	Yes	G/Y	-1	-15	-30	-25	1500

## Mechanicals



Dimensions: Inches mm  
 Unless otherwise specified,  
 all tolerances are  $\pm$  .010 0.25



## Schematics

