

ISDN S-INTERFACE MODULES

FEATURES

- Through-Hole, Dual, ISDN S-interface Transformers
- Meets the pulse waveform template of CCITT I.430 when recommended module and chip pair are used
- Compatible with industry standard footprints
- Developed for enhanced EMC performance

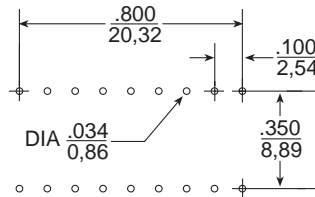
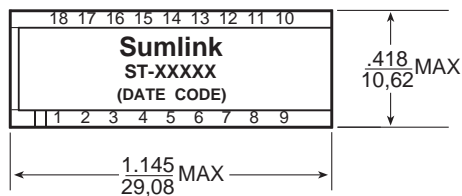


Electrical Specifications @ 25°C — Operating Temperature 0°C to 70°C

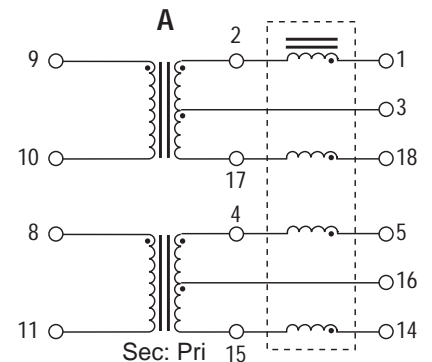
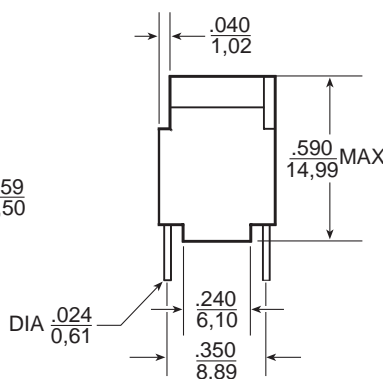
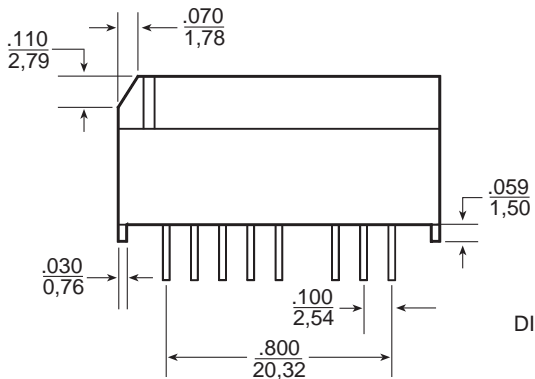
Part Number	Transformer							Choke		ΔI_{DC} (mA Max)	Secondary Pins	Schematic
	Ratio $\pm 2\%$ (Pri:Sec)	OCL Pri (mH Min)	Lt Sec (μ H MAX)	Cw/w (pF Max)	CD Pri (pF Max)	DCR Pri ($\Omega + 25\%$ MAX)	DCR Sec (Ω MAX)	OCL (mH Min)	DCR (Ω)			
ST-85011	1CT:1CT	30	10	150	100	3.2	3.2 (+25%)	4.7	1.2	5	9-7,10-12	B
ST-85012	1CT:2CT	30	30	150	100	3.2	5.4 (+25%)	4.7	1.2	5	9-7,10-12	B
ST-85013	1CT:2.5CT	30	30	150	110	3.2	9.0	4.7	1.2	5	9-7,10-12	B
ST-85015	1CT:2	30	30	150	100	3.2	5.4 (+25%)	4.7	1.2	5	9-10,8-11	A

Mechanical

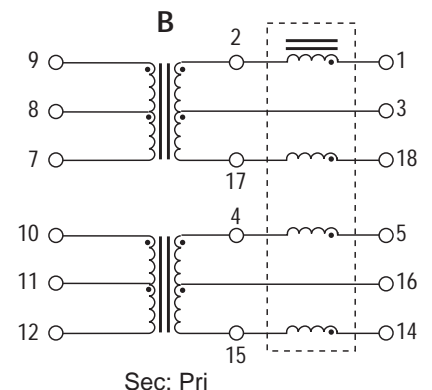
Schematic



SUGGESTED PCB LAYOUT



Pins 7 and 12 are not included with package.



Dimensions: $\frac{\text{Inches}}{\text{mm}}$

Unless otherwise specified all tolerances are $\pm \frac{.010}{0.25}$